



Blast Chillers-Freezers CW Blast Chiller-Freezer Crosswise - 19,5 kg - Remote

ITEM # _____

MODEL # _____

NAME # _____

SIS # _____

AIA # _____



726628 (RBF061R)

Blast Chiller-Freezer
Crosswise -15 kg Remote
230 V/1p/50Hz

Short Form Specification

Item No. _____

- Blast chiller/freezer with digital temperature and time display
- For 6 GN 1/1 or 5 600x400 mm trays
- Load capacity: chilling 19,5 kg (UK guidelines); freezing 15 kg (UK guidelines)
- Single sensor core probe
- Operating air temperature: +3 -41°C
- Automatic and manual defrosting
- Blast chilling real residual time estimation (A.R.T.E.)
- Turbo cooling function
- Specific cycles for ice cream
- Evaporator with antirust protection
- HACCP and Service alarms with data logging
- Main components in 304 AISI stainless steel
- Internal rounded corners and drain
- Cyclopentane insulation (HCFC, CFC and HFC free)
- Remote refrigeration unit (optional accessory)
- R452a refrigerant gas (HCFC and CFC free)
- R404a refrigerant gas (HCFC and CFC free)
- Performance guaranteed at ambient temperatures of 40°C

APPROVAL: _____



Experience the Excellence
www.electroluxprofessional.com

Main Features

- Automatic and manual defrosting.
- Blast Chilling cycle: 19,5 kg from 90°C up to 3°C in less than 90 mins.
- Blast Freezing cycle: 15 kg from 90°C up to -18°C in less than 240 min.
- Soft Chilling (air temperature -2°C).
- Hard Chilling (air temperature -20°C).
- Holding at +3 °C for chilling or -36 °C for freezing, automatically activated at the end of each cycle, to save energy and maintain the target temperature (manual activation is also possible).
- Freezing (air temperature -36°C)
- Turbo cooling: chiller works continuously at the desired temperature; ideal for continuous production.
- Control unit provides two large displays to read out: time, core temperature, cycle countdown, alarms, service information.
- Two customizable cycles (P1 & P2) for each operating mode, allowing to set the time and air temperature. These programs can be converted into ice-cream specialized cycles (shape maintenance and holding).
- All information related to the different operating models are recorded: date, time, cycle, core temperature, holding temperature, HACCP accordance.
- Single sensor core probe as standard.
- Remaining time estimation for probe-driven cycles based on artificial intelligence techniques (ARTE) for an easier planning of the activities.
- Performance guaranteed at ambient temperatures of +40°C.

Construction

- Refrigerant type: R404a.
- Removable magnetic door gasket with hygienic design.
- High density polyurethane insulation, 60 mm thickness, HCFC free.
- 304 AISI stainless steel construction throughout.
- Seamless hygienic inner cell with all rounded corners for easy cleaning.
- Swing hinged front panel for easy service access to main components.
- Ventilator swinging hinged panel for access to the evaporator for cleaning.
- Waste water can be plumbed into drain, but can also be collected in an optional waste container.
- Requires remote refrigeration connection.

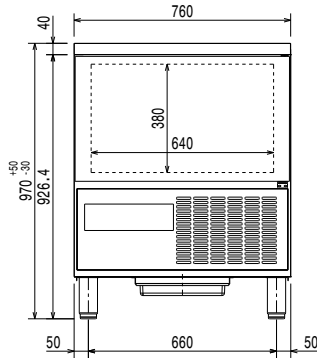
Included Accessories

- 1 of 1 single-sensor probe for blast chiller and blast chiller&freezers PNC 880213

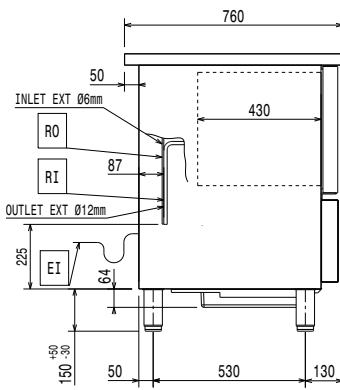
Optional Accessories

- Connectivity kit for AOC/ EasyLine and CW Blast Chillers/ Blast Chiller Freezers (ECAP) PNC 880183
- 1 single-sensor probe for blast chiller and blast chiller&freezers PNC 880213
- Rilsan grid 600x400mm PNC 880864
- Plastic coated grid, 1/1GN PNC 881061
- Stacking kit for 6 GN 1/1 convection oven on 15&25 kg blast chiller/freezer crosswise PNC 881528
- Pair of 1/1GN AISI 304 stainless steel grids PNC 921101
- Ethernet connector for ECAP protocol appliances PNC 922768

Front

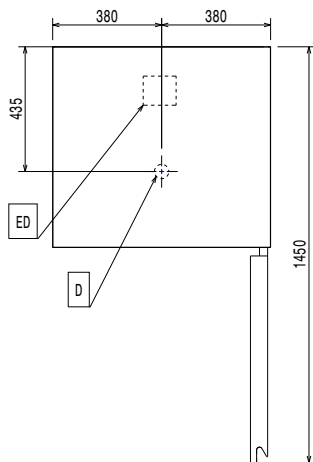


Side



D = Drain
 EI = Electrical inlet (power)
 RO = Refrigerant Outlet

Top



Electric

Supply voltage:

726628 (RBF061R) 220-240 V/1 ph/50/60 Hz

Electrical power max.:

0.14 kW

Circuit breaker required

Note: electrical power, current consumption and defrost power are necessary for installation.

Installation:

Clearance: 5 cm on sides and back.
 Please see and follow detailed installation instructions provided with the unit

Capacity:

GN: 6 - 1/1 containers

Max load capacity: 15 kg

Key Information:

External dimensions, Width: 760 mm

External dimensions, Depth: 760 mm

External dimensions, Height: 975 mm

Net weight: 95 kg

Shipping weight: 105 kg

Shipping volume: 0.84 m³

Refrigeration Data

Suggested refrigeration

power: 1680 W

Condition at evaporation

temperature: -25 °C

Condition at condensation

temperature: 45 °C

Condition at ambient

temperature: 32 °C

Connection pipes (remote) - outlet:

12 mm

Connection pipes (remote) - inlet:

6 mm

Note: refrigeration power calculated at a distance of 20 linear mt.

Sustainability

Current consumption: 0.8 Amps

Refrigerant type: R404A

GWP Index: 3922